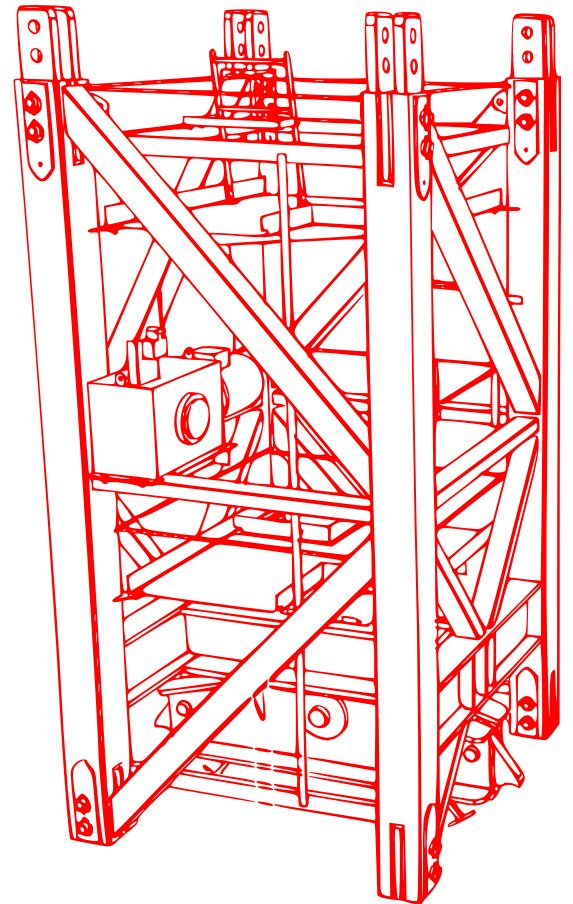


WOLFFKRAN

System component

WOLFF Inner climbing device

Technical informations



English

English

WOLFF Inner climbing device



Published by

WOLFFKRAN GmbH

Austraße 72

74076 Heilbronn

Germany

Phone +49 7131 9815 0

Fax +49 7131 9815 355

www.wolffkran.com

info@wolffkran.de

Copyright

This documentation including all of its subsections is protected by copyright laws.

Any type of use or modification outside of the stringent limits of the copyright laws without permission of WOLFFKRAN GmbH is prohibited and subject to penalties.

This applies particularly for copying, translation, microfilming and storage and processing in electronic systems.

At the time of printing, the information, data, illustrations and notes comprised in this manual were up-to-date.

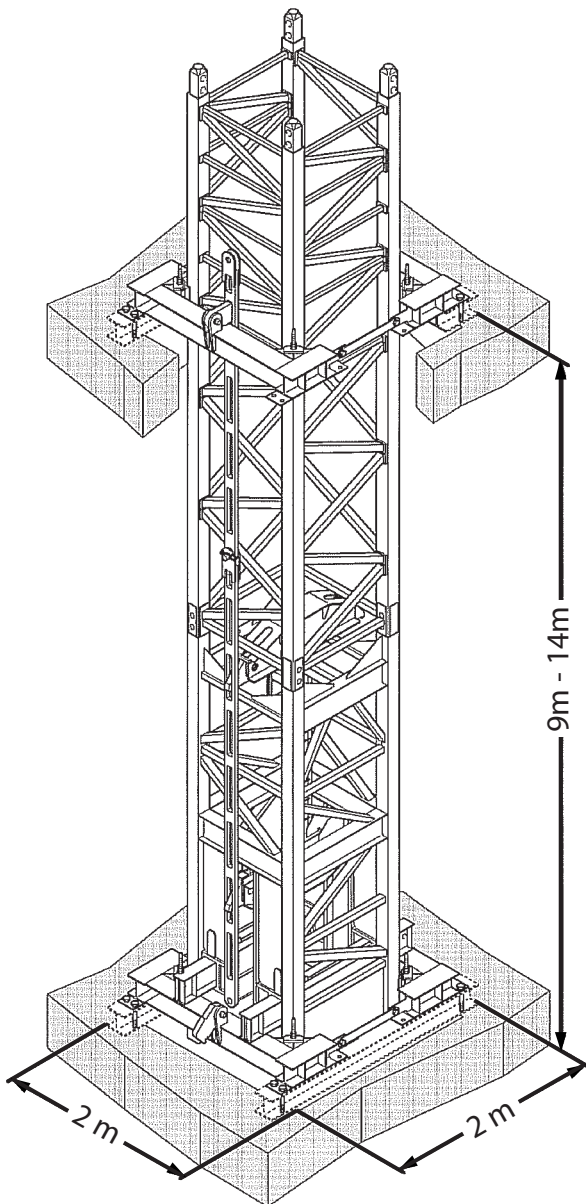
Subject to change of design, error and typos.

Stand: 06/2013

Table of contents

1	Inner climbing device KSH 15	5
2	Inner climbing device KSH 20 H	7
3	Inner climbing device KSH 20 M	9
4	Inner climbing device KSH 20 SH	11
5	Inner climbing device KSH 23	13
6	Internal climbing device KSH 23	15
7	Inner climbing device KSH 25	17

1 Inner climbing device KSH 15



Inner climbing device KSH 15

Use the hydraulic internal climbing device KSH to climb the WOLFF slewing tower crane, operating within a building, up to the height required in the respective construction phase.

1 Inner climbing device KSH 15

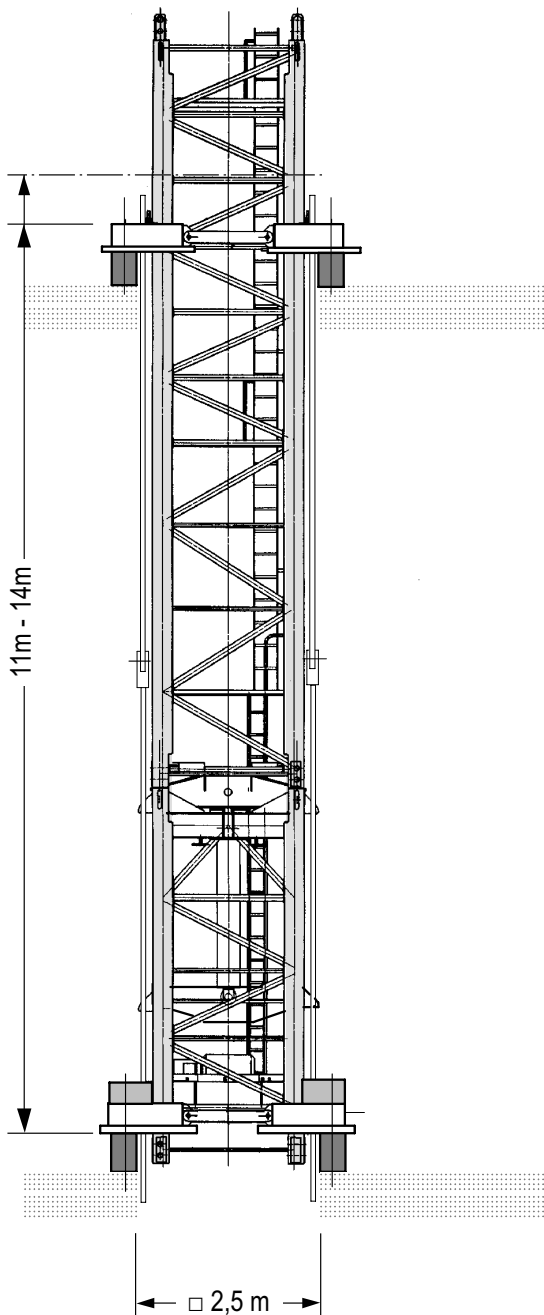
Weights		
Quantity	Component	Weight [kg]
1	Climbing tower element KSH 15.1	5330
1	Climbing tower element KSH 15.2	4650
1	Climbing frame, complete	1250
1	Climbing ladder	260

Double-acting hydraulic cylinder: 3876	
Hoisting time - extend	approx. 5 min
Hoisting time - retract	approx. 3 min
Force at 280 bar	840 kN
Design pressure	350 bar
Operating pressure max.	300 bar
Stroke max.	1150 mm
Hoisting range	0.85m - 2.00m
Piston Ø	200 mm
Rods Ø	140 mm
Oil filling	18.4 liters
Initial filling	ESSO NUTO H 68

Hydraulic unit: 3549	
High-pressure pump	IPH 3/13 R
KL three-phase motor	11 kW, 1450 min-1, 400 V, 50 Hz 11 kW, 1740 min-1, 400 V; 60 Hz
Oil filling	50 liters
Initial filling	ESSO NUTO H 68
Suction filter	
Pressure relief valve set to	280 bar.
Pressure gauge measurement range	400 bar.

Control:	
manual	via hand lever

2 Inner climbing device KSH 20 H



Inner climbing device KSH 20 H

Use the hydraulic internal climbing device KSH to climb the WOLFF slewing tower crane, operating within a building, up to the height required in the respective construction phase.

2 Inner climbing device KSH 20 H

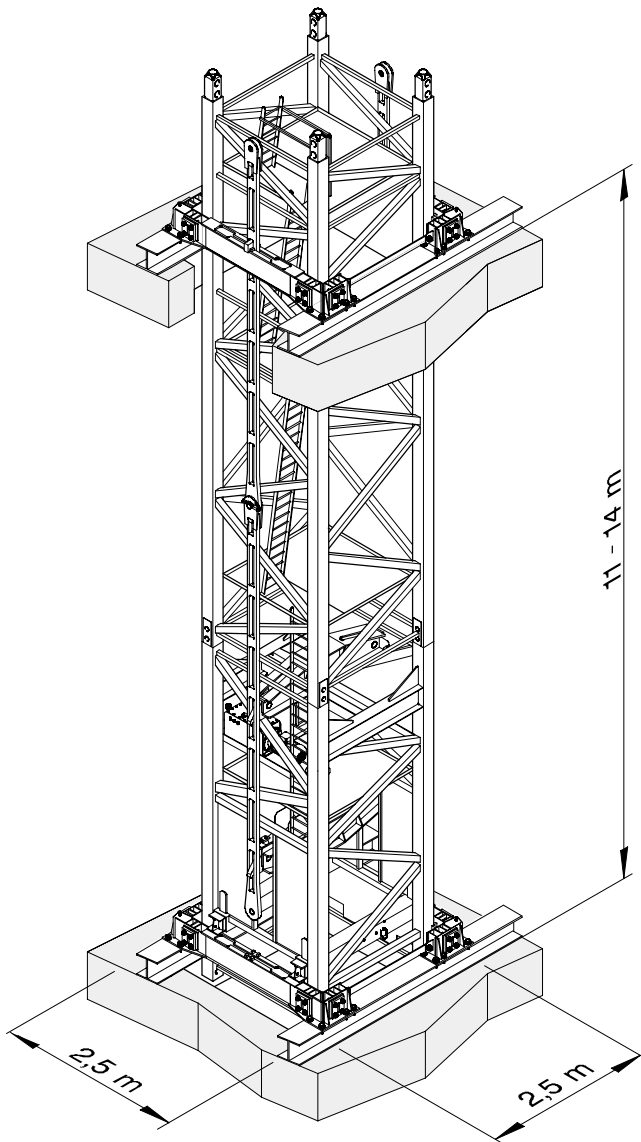
Weights		
Quantity	Component	Weight [kg]
1	Climbing tower element KSH 20 H1	9500
1	Climbing tower element KSH 20 H2	7600
1	Climbing frame KML	2300
1	Climbing ladder	260

Double-acting hydraulic cylinder: 3746	
Hoisting time - extend	approx. 5 min
Hoisting time - retract	approx. 3 min
Force at 285 bar	1400 kN
Design pressure	350 bar
Operating pressure max.	300 bar
Stroke max.	1670 mm
Piston Ø	250 mm
Rods Ø	140 mm
Oil filling	68 liters
Initial filling	ESSO NUTO H 68

Hydraulic unit: 3549	
High-pressure pump	IPH 3/13
KL three-phase motor	11 kW, 1450 min ⁻¹ , 400 V, 50 Hz
Oil filling	50 liters
Initial filling	ESSO NUTO H 68
Suction filter	
Pressure relief valve set to	280 bar.
Pressure gauge	

Control:	
manual	via hand lever

3 Inner climbing device KSH 20 M



Inner climbing device KSH 20 M

Use the hydraulic internal climbing device KSH to climb the WOLFF slewing tower crane, operating within a building, up to the height required in the respective construction phase.

3 Inner climbing device KSH 20 M

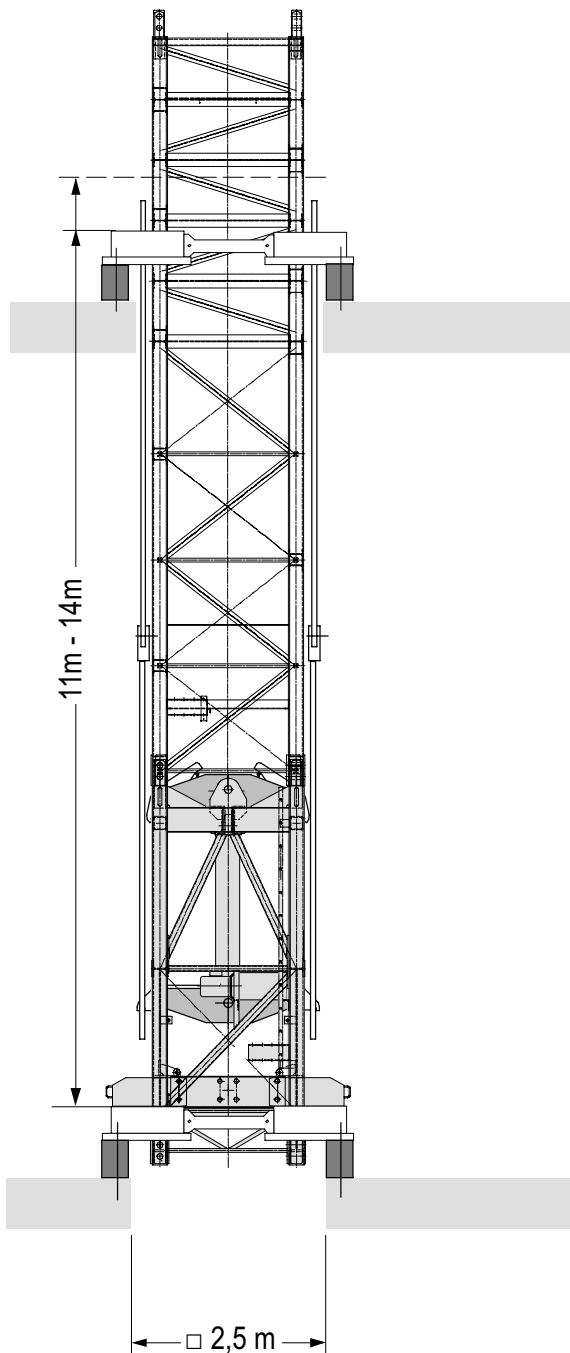
Weights		
Quantity	Component	Weight [kg]
1	Climbing tower element KSH 20 M1	6940
1	Climbing tower element KSH 20 M2	5900
1	Climbing frame	1160
1	Climbing ladder	266

Double-acting hydraulic cylinder: 3876	
Hoisting time - extend	approx. 5 min
Hoisting time - retract	approx. 3 min
Force at 280 bar	840 kN
Design pressure	350 bar
Operating pressure max.	300 bar
Stroke max.	1150 mm
Piston Ø	200 mm
Rods Ø	140 mm
Oil filling	18.4 liters
Initial filling	ESSO NUTO H 68

Hydraulic unit: 3549	
High-pressure pump	IPH 3/13 R
KL three-phase motor	11 kW, 1465 min ⁻¹ , 400 V, 50 Hz 11 kW, 1740 min ⁻¹ , 400 V, 60 Hz
Oil filling	50 liters
Initial filling	ESSO NUTO H 68
Suction filter	
Pressure relief valve set to	280 bar.
Pressure gauge measurement range	400 bar.

Control:	
manual	via hand lever

4 Inner climbing device KSH 20 SH



Inner climbing device KSH 20 SH

Use the hydraulic internal climbing device KSH to climb the WOLFF slewing tower crane, operating within a building, up to the height required in the respective construction phase.

4 Inner climbing device KSH 20 SH


Weights		
Quantity	Component	Weight [kg]
1	Climbing tower element	10060
1	Clamping element	8950
1	Climbing frame	2300
1	Climbing ladder	260

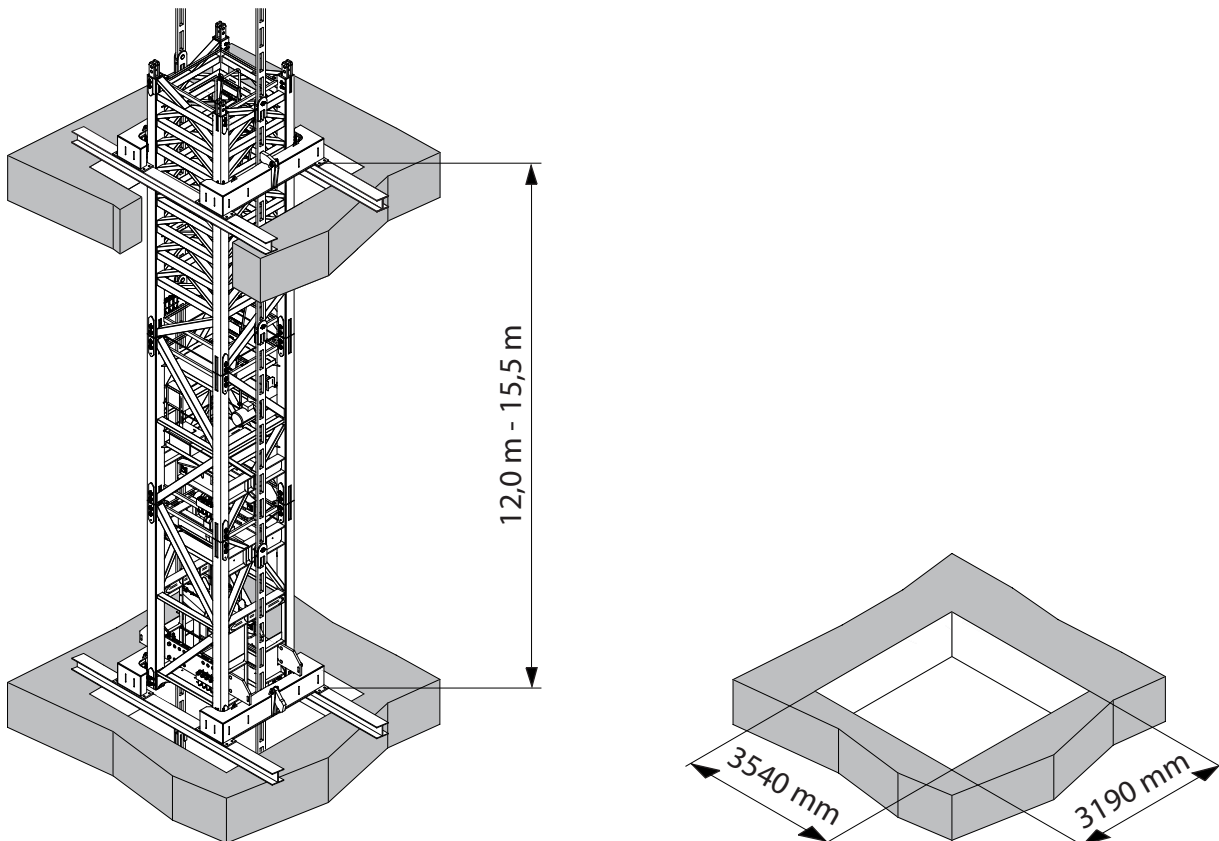
Double-acting hydraulic cylinder: 3746	
Hoisting time - extend	approx. 5 min
Hoisting time - retract	approx. 3 min
Force at 300 bar	1500 kN
Design pressure	350 bar
Operating pressure max.	300 bar
Stroke max.	1670 mm
Piston Ø	250 mm
Rods Ø	140 mm
Oil filling	68 liters
Initial filling	ESSO NUTO H 68

Hydraulic unit: 3549	
High-pressure pump	IPH 3/13
KL three-phase motor	11 kW, 1450 min ⁻¹ , 400 V, 50 Hz
Oil filling	50 liters
Initial filling	ESSO NUTO H 68
Suction filter	
Pressure relief valve set to	310 bar.
Pressure gauge	

Control:	
manual	via hand lever

5 Inner climbing device KSH 23

	NOTICE
	<p>Clamping length variable.</p> <p>With the , the clamping length is variable. With a reduced tower height, a clamping length of 10.5 m - 15.5 m is possible. Please contact WOLFFKRAN for information.</p>



Use the hydraulic internal climbing device to climb the WOLFF slewing tower crane, operating within a building, up to the height required in the respective construction phase. The internal climbing device is used as a part of the tower.

5 Inner climbing device KSH 23

Components:

The climbing tower element 1 comprises the hydraulic cylinder, the piston crossbeam, and the support girders.

The climbing tower element 2 comprises the hydraulic unit and the climbing crossbeam.

The corner guides in the climbing frame guide the tower during the climbing process.

The climbing frames are used to fasten the climbing ladders that allow the slewing tower crane to climb up.


While the crane is working, the climbed slewing tower crane is clamped and fixed by means of the corner guides at the climbing frame.

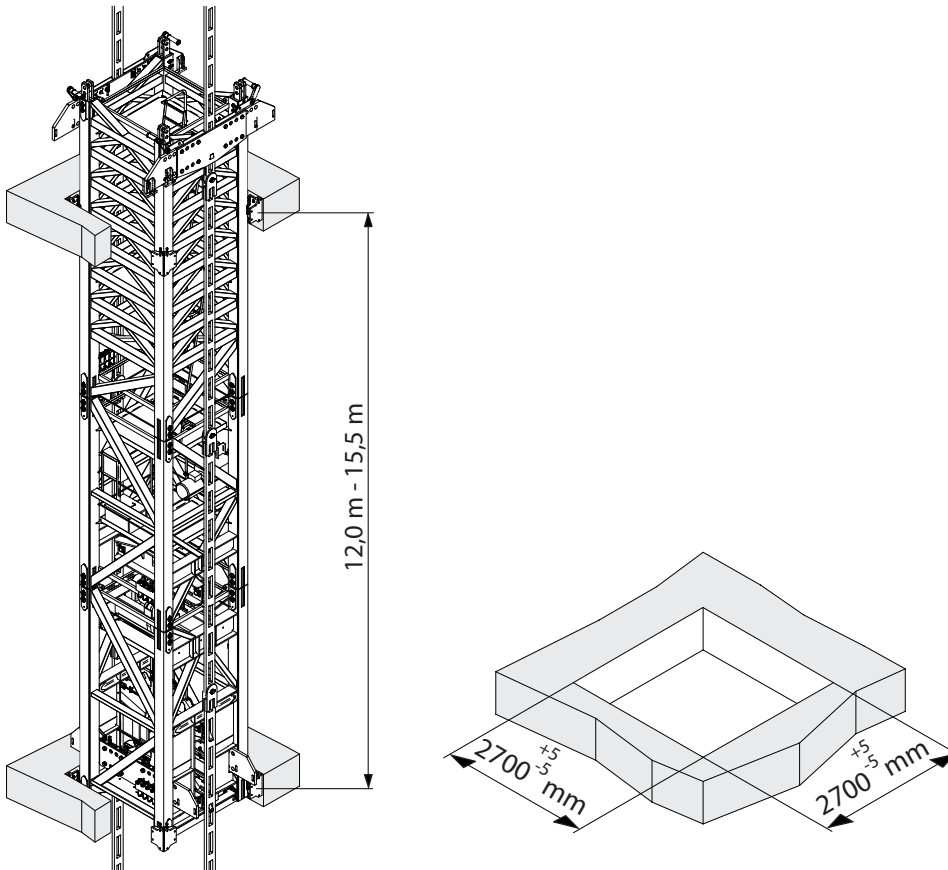
Double-acting hydraulic cylinder:	
Hoisting time - extend	Approx. 5 min
Hoisting time - retract	Approx. 4 min
Pressure at 280 bar	1850 kN
Design pressure	390 bar
Operating pressure max.	310 bar.
Stroke max.	1670 mm
Piston Ø	320 mm
Rods Ø	170 mm

Hydraulic unit:	
High-pressure pump	34 l/min.
KL three-phase motor	15kW, 1500 min-1, 400V, 50Hz
Oil filling	approx. 220 l
Initial filling	ESSO NUTO H 32
Pressure relief valve set to	310 bar.
Pressure gauge	
Oil gauge glass	
Discharge valve	

Control:	
Automatic	Electrical

6 Internal climbing device KSH 23

	NOTICE
	<p>Clamping length variable.</p> <p>With the , the clamping length is variable. With a reduced tower height, a clamping length of 10.5 m - 15.5 m is possible. Please contact WOLFFKRAN for information.</p>



Use the hydraulic internal climbing device to climb the WOLFF slewing tower crane, operating within a building, up to the height required in the respective construction phase. The internal climbing device is used as a part of the tower.

6 Internal climbing device KSH 23

Components:

The climbing tower element 1 comprises the hydraulic cylinder, the piston crossbeam, and the support girders.

The climbing tower element 2 comprises the hydraulic unit and the climbing crossbeam.

The corner guides guide the tower during the climbing process.

The telescopic cross beams are used to fasten the climbing ladders that allow the slewing tower crane to climb up.

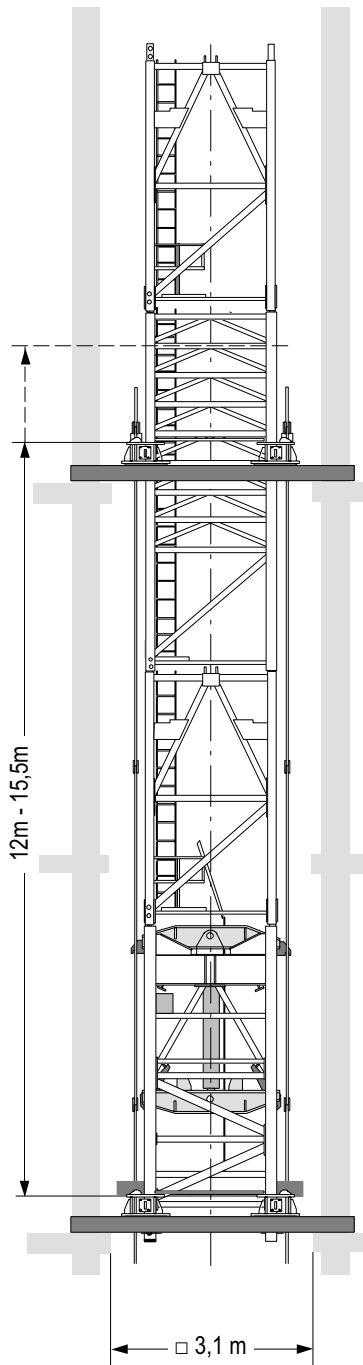
While the crane is working, the climbed slewing tower crane is fixed by means of the corner guides at the climbing tower element 1 and the clamping element.

Double-acting hydraulic cylinder:	
Hoisting time - extend	Approx. 5 min
Hoisting time - retract	Approx. 4 min
Pressure at 280 bar	1850 kN
Design pressure	390 bar
Operating pressure max.	310 bar.
Stroke max.	1670 mm
Piston Ø	320 mm
Rods Ø	170 mm

Hydraulic unit:	
High-pressure pump	34 l/min.
KL three-phase motor	15 kW, 1500 min ⁻¹ , 400 V, 50 Hz
Oil filling	approx. 220 l
Initial filling	ESSO NUTO H 32
Pressure relief valve set to	310 bar.
Pressure gauge	
Oil gauge glass	
Discharge valve	

Control:	
Control console (portable)	Electrical

7 Inner climbing device KSH 25



Inner climbing device KSH 25

Use the hydraulic internal climbing device KSH to climb the WOLFF slewing tower crane, operating within a building, up to the height required in the respective construction phase.

7 Inner climbing device KSH 25

Weights		
Quantity	Component	Weight [kg]
1	Climbing tower element KSH 25	10700
1	Tower element TV 25	3020
1	Clamping element KSH 25	7110
1	Climbing frame KML	2505
1	Adapter	450
1	Climbing ladder (6,28m)	355

Double-acting hydraulic cylinder: 4027	
Hoisting time - extend	approx. 5 min
Hoisting time - retract	approx. 3 min
Force at 265 bar	1750 kN
Design pressure	395 bar
Operating pressure max.	280 bar.
Stroke max.	1150 mm
Piston Ø	290 mm
Rods Ø	160 mm
Oil filling	52.8 liters
Initial filling	ESSO NUTO H 68

Hydraulic unit: 3549	
High-pressure pump	IPH 3/13
KL three-phase motor	11 kW, 1450 min-1, 400 V, 50 Hz
Oil filling	50 liters
Initial filling	ESSO NUTO H 68
Suction filter	
Pressure relief valve set to	280 bar.
Pressure gauge	

Control:	
manual	via hand lever

WOLFFKRAN Group

Headquarter international:

WOLFFKRAN AG

Baarermattstraße 6

CH-6300 Zug

Switzerland

Phone +41 41 766 85 00

Fax +41 41 766 85 99

info@wolffkran.com

Manufacturing:

WOLFFKRAN GmbH

Austraße 72

D-74076 Heilbronn

Germany

Phone + 49 7131 9815 0

Fax + 49 7131 9815 355

info@wolffkran.de

WOLFFKRAN Werk Brandenburg GmbH

Frederik-Ipsen-Straße 5

D-15926 Luckau OT Alverno

Germany

Phone + 49 35456 674 0

Fax + 49 35456 674 200

info@wolffkran.de